

DS-MBZ942L-2X1
DS-MBZ947L-2X1



Display size

DS-MBZ942L-2X1: 40"-42"
DS-MBZ947L-2X1: 46"-48"



Max load

200lb
(90.9kg)

SMARTMOUNT.

Digital Menu Board Ceiling Mount with 8pt Adjustment - Landscape

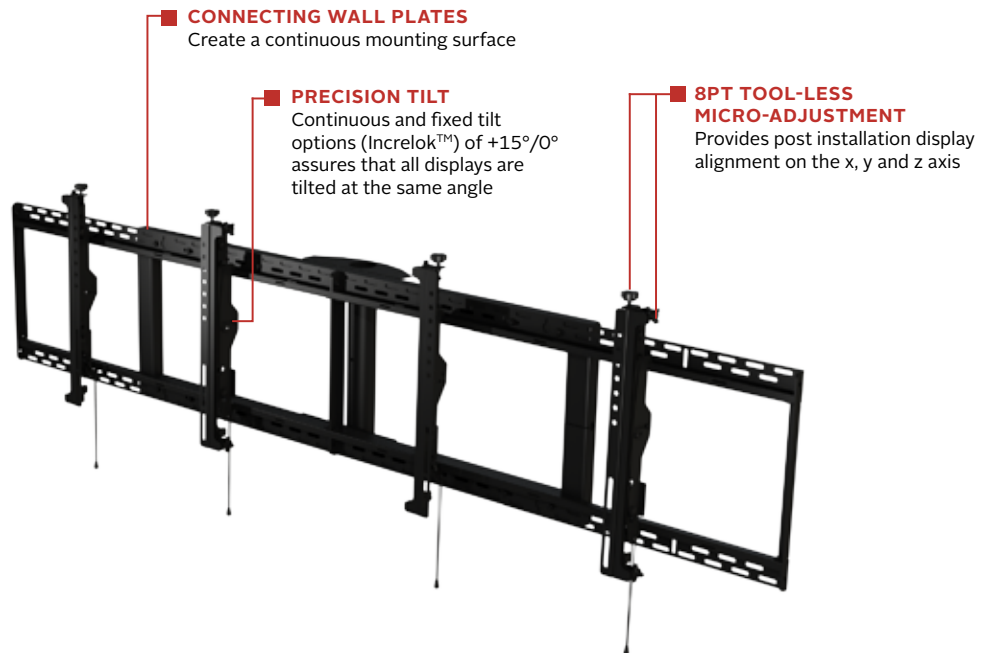
2X1 CONFIGURATION FOR 40" TO 48" DISPLAYS

Peerless-AV's quick service restaurant (QSR) Menu Board Ceiling Mount is designed to create a seamless mounting surface through connecting wall plates. Continuous and fixed tilt options allow all displays to be tilted at the same angle with ease, creating flawless alignment. The QSR Menu Board Mount has a tool-less 8pt adjustment to position all of the displays on the same plane. Quick connect adaptor rails quickly attach to the support frame with an auto latch, easing the set up and making the QSR Menu Board Mount the perfect mounting solution.

Additional Features

- ✓ Connecting wall plates create a continuous mounting surface for ease of display alignment
- ✓ Quick connect latch automatically engages the wall plate when mounting the display for a speedy set-up and peace of mind
- ✓ Horizontal adjustment allows the installer to create a menu board with a seamless appearance
- ✓ Continuous and Increlok™ tilt options assure that all displays are tilted at the same angle to assure alignment
- ✓ Included security hardware deters tampering and theft
- ✓ Tool-less four corner depth adjustment aligns the displays on the same plane
- ✓ DS-MBZ942L-2X1 – landscape configuration for 40"-42" displays with mounting hole patterns 1769 x 400mm (69.65"W x 15.75"H)
- ✓ DS-MBZ947L-2X1 – landscape configuration for 46"-48" displays with mounting hole patterns 1960 x 400mm (77.15"W x 15.75"H)

With the tool-less 8pt adjustment feature on the adaptor brackets, you can create flawless alignment with ease.



RoHS

DS-MBZ942L-2X1 SmartMount® Digital Menu Board Ceiling Mount with 8pt Adjustment 2x1 Configuration for 40"-42" Displays - Landscape
DS-MBZ947L-2X1 SmartMount® Digital Menu Board Ceiling Mount with 8pt Adjustment 2x1 Configuration for 46"-48" Displays - Landscape

Product Specifications

| | DIMENSIONS (W x H x D) | PRODUCT WEIGHT | LOAD CAPACITY | FINISH | AVAILABLE COLORS |
|-----------------------|---|-----------------|----------------|------------|------------------|
| DS-MBZ942L-2X1 | 72.16" x 19.49" x 7.47" (1833 x 495 x 190mm) | 49.1lb (22.3kg) | 200lb (90.9kg) | Matte/Flat | Black |
| DS-MBZ947L-2X1 | 78.60" x 19.49" x 7.47" (1996 x 495 x 190mm) | 50.1lb (22.8kg) | | | |

Package Specifications

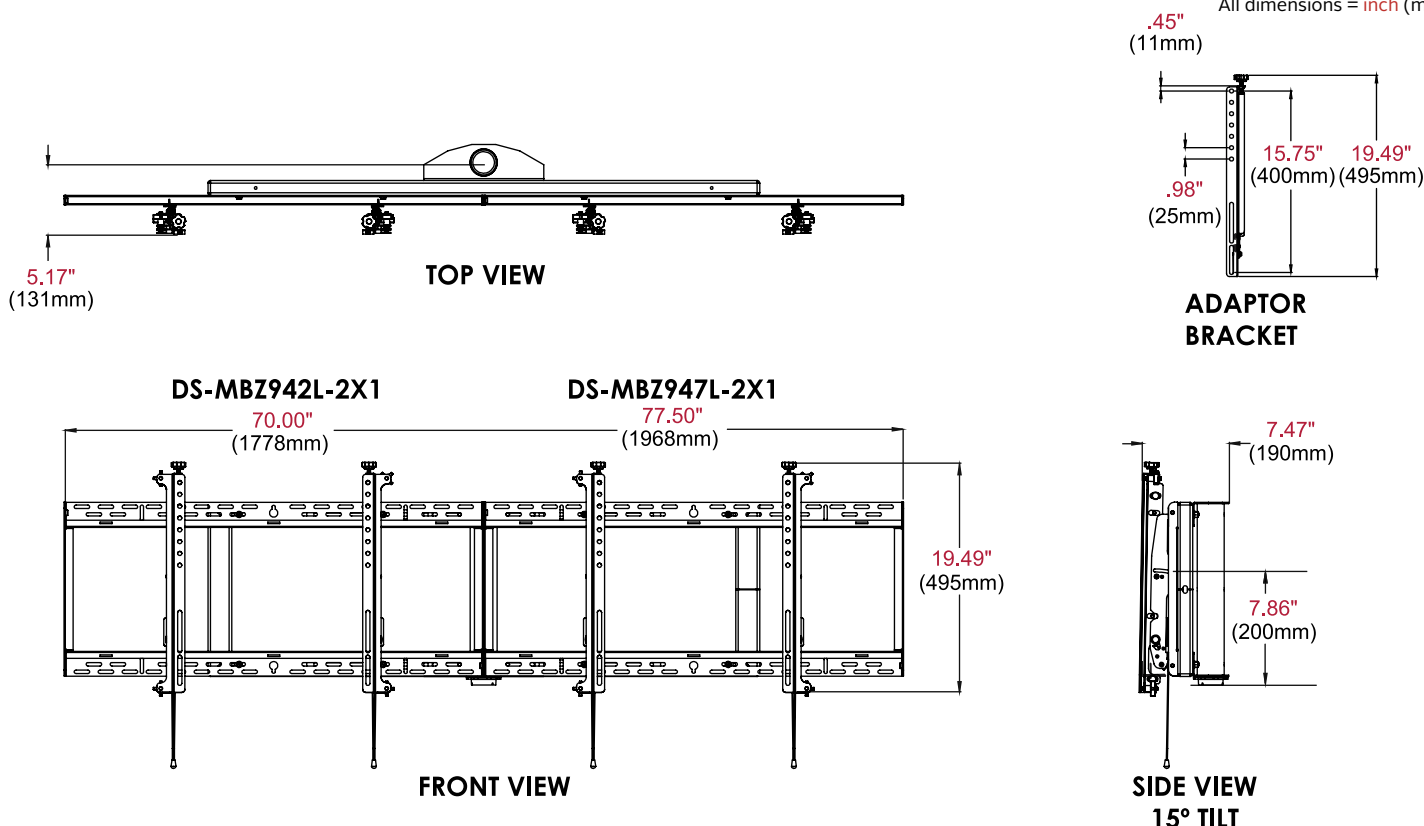
| | PACKAGE SIZE (W x H x D) | PACKAGE SHIP WEIGHT | PACKAGE UPC CODE | PACKAGE CONTENTS | UNITS IN PACKAGE |
|-----------------------|--|---------------------|------------------|--|------------------|
| DS-MBZ942L-2X1 | 47.00" x 17.00" x 13.50" (1194 x 432 x 343mm) | 64.1lb (29.1kg) | 735029308157 | Mount frame, adaptor rails and display mounting hardware | 1 |
| DS-MBZ947L-2X1 | | 65.1lb (29.6kg) | 735029308171 | | |

Accessories

ADD, EXT Models: Ceiling Extensions (ADD0203*-ADD1012, EXT018 - EXT110)
 *Minimum obtainable length is 31"
ACC-MBS: Menu Board Shelf

DCS, DCT Models: Ceiling Plates
MOD-P100/150/200/300(-B): Modular Series Ceiling Pole
MOD-CPF, MOD-CPI, MOD-CPC: Modular Series Ceiling Plates
MOD-ASC: Display Mount Stacking Clamp

All dimensions = inch (mm)



Architect Specifications

The Smartmount® Digital Menu Board Ceiling Mount with 8pt Adjustment shall be a Peerless-AV model DS-MBZ942L-2X1 or DS-MBZ947L-2X1 and shall be located where indicated on the plans. Assembly and installation shall be done according to instructions provided by the manufacturer.

Visit peerless-av.com to see the complete line of AV solutions from Peerless-AV, including outdoor displays, wireless, kiosks, digital audio, display mounts, projector mounts, carts/stands, and a full assortment of accessories.

Peerless-AV
 2300 White Oak Circle
 Aurora, IL 60502 USA
(800) 865-2112
(630) 375-5100
Fax: (800) 359-6500

Peerless-AV Europe
 Unit 3 Watford Interchange
 Colonial Way, Watford
 Herts, WD24 4WP
 United Kingdom
+44 (0) 1923 200100
Fax: +44 (0) 1923 200101

Peerless-AV de México
 Ave de las Industrias 413
 Parque Industrial Escobedo
 Escobedo, N.L.,
 Mexico 66050
+52 (81) 8384-8300
Fax: +52 (81) 8384-8360

